

# A ring segmented bus architecture for Globally Asynchronous Locally Synchronous System

Masafumi KONDO, Yoichiro SATO, Kazuyuki TASHIRO, Tomoyuki YOKOGAWA, and Michiyoshi HAYASE,

**Abstract**—Recently, most digital systems are designed as GALS (Globally Asynchronous Locally Synchronous) systems. Several architectures have been proposed as bus architectures for a GALS system : shared bus, segmented bus, ring bus, and so on. In this study, we propose a ring segmented bus architecture which is a combination of segmented bus and ring bus architecture with the aim of throughput enhancement. In a segmented bus architecture, segments are connected in series. By connecting the segments at the end of the bus and constructing the ring bus, it becomes possible to allocate a channel of the bus bidirectionally. The bus channel is allocated to the shortest path between segments. We consider a metastable operation caused by asynchronous communication between segments and a burst transfer between segments. According to the result of simulation, it is shown that the GALS system designed by the proposed method has the desired operations.

**Index Terms**—GALS systems bus architecture, segmented bus, ring bus.

## I. INTRODUCTION

WITH the development of circuit integration technology, the scale and speed of circuit have been increasing. Digital systems are usually implemented as synchronous circuits. However, relative growth of wire delay to element delay makes it difficult to deliver clock pulses to all components in phase[1]. Therefore, we can not but decrease the clock frequency and a limit is occurring at the speed of synchronous circuits. To solve the problem, the method to design the system as an asynchronous circuit composed of subsystems which are designed as synchronous circuits (called *Clock Domain*, CD) gathers much attention. Such a system is called a *Globally Asynchronous Locally Synchronous* (GALS) system[2]. The performance of GALS systems depends on the efficiency of asynchronous data transfer between CDs. To improve the performance of GALS systems, it is important to provide the configuration of the bus assuming the data transfer between CDs.

The bus architecture of GALS systems is classified into four types: shared bus, switch network, ring bus and segmented bus[3][4]. A shared bus architecture is scalable and requires small area to configure the bus and has a simple mechanism

M. Kondo, Y. Sato, T. Yokogawa and M. Hayase are with Graduate School of Systems Engineering, Okayama Prefectural University, Kuboki 111, Soja-shi, Okayama, 719-1197 Japan (e-mail: kondo@radish3.cse.oka-pu.ac.jp, {sato, t-yokoga, hayase}@cse.oka-pu.ac.jp).

K. Tashiro is with FUJITSU TEN, Goshodoori 1-2-8, Hyougo-ku, Koube-shi, Hongo. 652-8510 Japan (e-mail: t-kazu@tm.ten.fujitsu.com).

Manuscript received February 26, 2009; revised March 31, 2009.

to arbitrate a conflict of bus requests. In the case of a large scale system, however, the throughput degradation for a data transfer occurs because one CD occupies all part of the bus, and increasing delay associated with the growth of bus length enlarges the response time of bus control. A switch network architecture is superior to shared bus at a point of the throughput because the bus is constructed by combining small matrix switches. The scalability of the switch network is however limited, and the response time and the required area are enlarged. In a ring bus architecture, transmission circuits of CDs are connected in the form of a ring and data are transferred based on a packet communication. Although this allows the throughput enhancement, it is inferior to a shared bus in the required area, the scalability, and the response time. In a segmented bus architecture a bus is dynamically divided into multiple buses which can be used concurrently. Although the required area is enlarged relative to a shared bus, this allows lower power consumption as well as high throughput enhancement.

As mentioned above, while the required area is enlarged, a segmented bus architecture is the most up-and-coming in aspects of throughput and response time. In the case of data transfer between the CDs (called *segments* in a segmented bus architecture) at both ends of the bus, however, other segments can not use the bus. This leads to throughput degradation. To solve the problem, we construct the bus in the form of a ring by connecting the segments at both ends of the bus. In this paper, we propose the bus architecture which is a combination of ring bus and segmented bus architecture. We call this form of bus architecture *ring-segmented bus*.

In a segmented bus architecture, a direction of data transfer channel is uniquely determined because segments are connected in series via a bridge. Thus when allocating a data transfer channel to a path, in the case that the other channel is already allocated there, it is not possible to establish the channel. Particularly, in the case of transfer between the segments at both ends of the bus, the throughput seriously degrades because all parts of the bus are occupied. Connecting segments at both ends of the bus, data transfer channel can be allocated to two types of path in clockwise and counter-clockwise rotation. Even if a data transfer channel is already allocated, there is a chance to establish another channel and it allows the throughput enhancement. Allocating a channel to the shortest path among the two type of path, a data transfer is performed efficiently. Creating an independent segment bus from the bus used to transfer data between segments, data

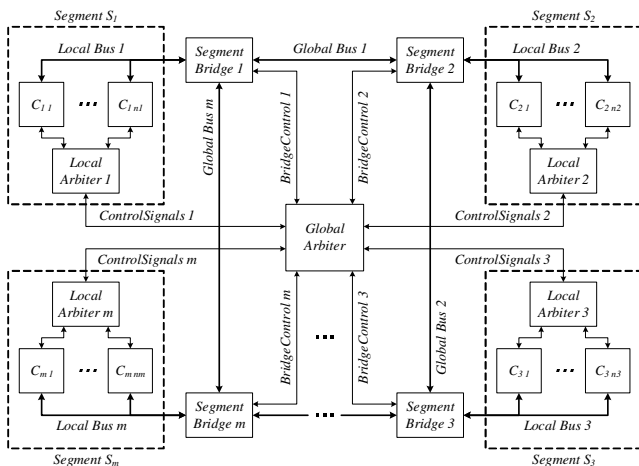


Fig. 1. Structure of a ring segmented bus architecture

transfer inside a segment can be performed during data transfer via the segment.

In section II, we show an outline of the ring segmented bus architecture and the data transfer method. In section III, we show a structure of a segment bridge connecting segments. In section IV, we show a structure of an arbiter. In section V, we show the result of design and simulation of the ring segmented bus architecture.

## II. RING SEGMENTED BUS ARCHITECTURE

### A. Components

Figure 1 shows the basic architecture of ring segmented bus. We show the function of each component as follows.

- **Segment  $S_i$**  ( $1 \leq i \leq m$ )  
 is a set of components which is designed as a synchronous circuit. A segment includes a local bus connecting components and an arbiter arbitrating the local bus mentioned below.
- **Component  $C_{ij}$**  ( $1 \leq j \leq n_i$ )  
 is a component included in the segment  $S_i$ .
- **Local Bus  $LB_i$**   
 is a bus transferring data in the segment  $S_j$ .
- **Local Arbiter  $LA_i$**   
 is an arbiter of the segment  $S_j$ . This arbiter arbitrates following three requests and grants the bus.
  - 1) request to transfer data between components ( $C_{ij}, C_{il}$ ) in the segment  $S_i$ .
  - 2) request to transfer data to a component  $C_{jl}$  in different segment  $S_j$  ( $i \neq j$ ).
  - 3) request to transfer data from a component  $C_{jl}$  in different segment  $S_j$  ( $i \neq j$ ).

These types of requests are specified the priority and request type 3) has top priority. This is to reduce the overhead due to unsuccessful channel establishment, when such a request occurs and the channel from  $C_{jl}$  to  $S_i$  is already established. When multiple components issue request type 3) or issue request type 1) and 2)

simultaneously, the arbiter grants the bus  $LB_i$  based on the priorities of components.

- **Global Bus  $GB_i$**   
 is a bus transferring data between the segment  $S_i$  and  $S_{i+1}$  (when  $i = m, S_m$  and  $S_0$ ).
- **Global Arbiter  $GA$**   
 is an arbiter controlling the global bus. A global arbiter arbitrates requests of data transfer between segments based on the priorities of segments. It issues a request to establish a data transfer channel in global bus and a request to use the destination local bus. The detailed structure of a global arbiter is described in chapter IV.
- **Segment Bridge  $SB_i$**   
 is a circuit connecting local bus  $LB_i$  and global buses  $GB_{i-1}, GB_i$  physically. A segment bridge connects  $GB_{i-1}$  and  $GB_i$ , and separates  $S_i$  from a global bus. In the case of data transfer from or to  $S_i$ ,  $LB_i$  is connected to  $GB_i$  or  $GB_{i-1}$  according to a control signal of  $GA$ . From here we represent the connection from  $S_i$  to  $S_{i+1}$  as *Up-direction* and the connection to  $S_{i-1}$  as *Down-direction*. Note that the Up-directional segment of  $S_m$  is  $S_0$  and the Down-directional segment of  $S_0$  is  $S_m$ .
- **Bridge Control  $BC_i$**   
 is a control signal delivered from  $GA$  to  $SB_i$  and specifies the connection between  $LB_i, GB_i$  and  $GB_{i-1}$ .
- **Control Signals  $i$**   
 is a control signal between  $GA$  and  $LA_i$  and used to establish the data transfer channel involving  $S_i$ .

### B. Data transfer method

Figure 2 shows the detailed control signals involved in  $S_i$ . We show the data transfer method in the ring segmented bus architecture.

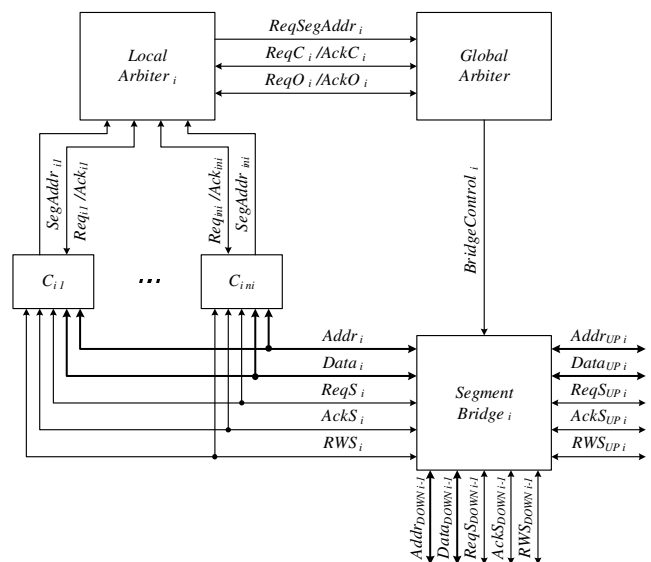


Fig. 2. Control signals involved in a segment

The component  $C_{ij}$  sends to  $LA_i$  a data transfer request signal  $Req_{ij}$  and destination segment address  $SegAddr_{ij}$ .

$LA_i$  arbitrates  $Req_{ij}$  and determines whether it is a data transfer within a segment or not based on  $SegAddr_{ij}$ . When it is a data transfer within a segment,  $LA_i$  sends a data transfer acknowledgement signal  $Ack_{ij}$  to the component  $C_{ij}$  and grants the bus  $LB_i$ . When it is a data transfer between segments,  $LA_i$  sends to  $GA$  a data transfer request signal  $ReqC_i$  and the destination segment address  $ReqSegAddr_{ij}$ , and requests  $GA$  to establish a data transfer channel. The subsequent procedure to establish the data transfer channel is as follows.

$GA$  arbitrates  $ReqC_i$  and calculate the channel length from the addresses of  $S_i$  and the destination segment  $S_k$ .  $GA$  attempts to allocate a data transfer channel to the shortest path first, and then to another path. When it is possible to establish the data transfer channel,  $GA$  sends a local bus usage request signal  $ReqO_k$  and requests to grant the local bus  $LB_k$  in  $S_k$ . When the channel can not be allocated to the both paths,  $ReqC_i$  is not accepted.

In case that  $LB_k$  is free, receiving  $ReqO_k$ ,  $LA_k$  sends to  $GA$  a local bus usage acknowledgement signal  $AckO_k$  and grants  $LB_k$  to  $GA$ . In case that  $LB_k$  is not free,  $LA_k$  sends  $AckO_k$  to  $GA$  after completing the current data transfer.

Receiving  $AckO_k$ ,  $GA$  sends the signals  $BC_i$  and  $BC_k$  to the bridges  $SB_i$  and  $SB_k$  respectively, and establishes a data transfer channel. Since each segment bridge generally connects global buses, it is not necessary to control the bridge of the overpassed segment. After establishing the data transfer channel,  $GA$  sends a data transfer acknowledgement signal  $AckC_i$ .

Receiving  $AckC_i$ ,  $LA_i$  sends  $Ack_{ij}$  to the component  $C_{ij}$  and grant the segment bus.

The component  $C_{ij}$  which is accepted the data transfer sends a handshake request signal  $ReqS_i$  to the data transfer channel. It simultaneously sends the data destination address  $Addr_i$  which has the addresses of  $S_k$  and the destination component, and a data transfer direction signal  $RWS_i$ . Components in the channel determine whether  $ReqS_i$  is addressed to them or not by comparing  $Addr_i$  and their addresses. Receiving  $ReqS_i$ , the component of  $S_k$  sends the handshake acknowledgement signal  $AckS_k$  to the data transfer channel. Receiving  $AckS_k$ , the source component sends the data in the case of writing transfer (that is,  $RWS_i = '0'$ ), and receives the data in the case of reading transfer (that is,  $RWS_i = '1'$ ).

### III. STRUCTURE OF A SEGMENT BRIDGE

Since each component is synchronized with the clock pulse of the segment which the component belongs to, signals between segments change asynchronously. Such an asynchronous signal change induces a metastable operation and causes malfunction of a system at worst. To reduce the frequency of such a malfunction, it is necessary to insert a synchronizer to a segment bridge and synchronize input signals[5]. Input and output signals of a segment bridge are classified into data signals ( $Data_i$ ,  $DataUp_i$ ,  $DataDown_i$ ) and control signals. In order to improve data transfer efficiency, only control signals are synchronized. We divide a segment bridge into a part processing control signals and a

part processing data signals, and show the structure of them separately. We omit the index  $i$  of each symbol after here, because all segment bridges have the same structure.

#### A. Processing control signals

Data signals (*Data*) and address signals (*Addr*) are composed of groups of signals. If a synchronizer is inserted into each group of signals, a gap of timing for synchronization can occur because of the dependency of a timing for synchronization on the arrival time at synchronizer. Thus the group of signals which are asserted simultaneously must not be synchronized individually.

To synchronize multiple groups of signals, we introduce a register which holds the values of the group of signals on the bus and synchronize only the handshake signals. The most simple synchronizer is constructed as series connection of flip flops (FFs). A reason for connecting FFs in series is to reduce the frequency of metastable operation[6]. We show the structure of a segment bridge with a synchronizer in Figure 3.

The handshake signals indicate the timing where the component in the receiver segment samples the signal group and the timing where the component in the sender segment updates the value of the register. Although the group of signal is not synchronized, the values are transferred from the register of the sender segment to the one of the receiver.

#### B. Processing data signals

In many systems, a certain amount of data is transferred between components continuously. Since it is not possible to perform such a burst transfer between segments by register allocated to each segment, it is necessary to use FIFO (First In First Out). FIFO outputs data in order of storing the data and can maintain the consistency of continuous data. Here, each component is synchronized with a clock of the segment which the component belongs to, the timings of writing and reading are different. Thus it is necessary to use asynchronous FIFO which has independent writing and reading clock.

We show the structure of a segment bridge with an asynchronous FIFO in Figure 4. Inserting MUX and DEMUX in the input and the output of an asynchronous FIFO, the data bus is connected with the asynchronous FIFO only in the case of data transfer between segments.

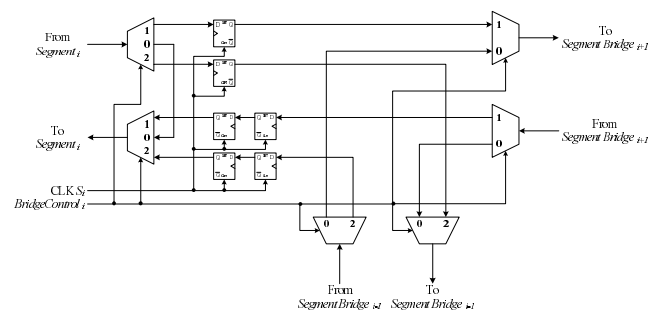


Fig. 3. Structure of a segment bridge with a synchronizer

If writing speed of the sender segment is fast relative to reading speed of the receiver, there is the possibility that the asynchronous FIFO overflows. If writing speed is slow relative to reading speed, underflow may occur, similarly. Therefore, *Full* and *Empty* flag signals which indicate its state of data are prepared in an asynchronous FIFO. Signals involved with an asynchronous FIFO and a clock pulse of each segment are sent and received between segments via each bridge.

#### IV. STRUCTURE OF AN ARBITER

The ring segmented bus architecture includes a local arbiter (*LA*) and a global arbiter (*GA*). In this paper, we show only the structure of *GA* which has complex structure relative to *LA*.

Since we design *GA* by HDL at the functional level, we show the method to process conflict. As mentioned above, there exist two channels to transfer data in the ring segmented bus architecture. We also show the method to determine the channel.

##### A. Global arbiter

*GA* arbitrates *ReqC* which is sent from *LA* of each segment. Since *GA* receives *ReqC* asynchronously, *GA* need to be designed as an asynchronous arbiter.

A state register which indicates the global bus usage is prepared in *GA*. The size of the state register corresponds to the number of segments and each bit of the register corresponds to each segment state. When the *i*th bit of the state register is '1', the global bus *GB<sub>i</sub>* and *GB<sub>i-1</sub>* is in use, that is, *SB<sub>i</sub>* is used to the data transfer between segments.

We show the arbitrating procedure of *GA*.

Step1. Detecting a leading of *ReqC*, go to Step 2. Detecting a trailing of *ReqC* which is already accepted, *GA* initializes the corresponding state register and quits.

Step2. *GA* calculates a data transfer channel from the source and destination addresses. *GA* compares the calculated data transfer channel with the corresponding value of the state register. When the channel can be established, *ReqC* is set to a valid data transfer request signal *ValidReq* and go to Step 3. Otherwise, go back to Step 1.

Step3. *GA* arbitrates *ValidReq* and updates the value of the state register corresponding to the data transfer channel and go to Step 4.

Step4. *GA* sends *ReqO* to *LA* of the destination segment and requests to use *LB* of the destination segment and go to Step 5.

Step5. When *GA* receives *AckO*, that is, *LB* of the destination segment is accepted to use, go to Step 6.

Step6. *GA* sends a bridge control signal to the source and destination segments and establishes a data transfer channel. When establishing the Up-directional channel, the data transfer channel is established by connecting the bridge of source Up-directionally and the one of destination Down-directionally. After establishing the channel, go to Step 7.

Step7. *GA* sends *AckC* to *LA* of the segment sending the accepted *ValidReq*.

##### B. Calculating the direction of the shortest path

The Up-directional and Down-directional data transfer channels are stored to each channel register based on the addresses of source and destination segments. Comparing the channel register with the state register, the channel can be established if no conflict occurs. Since the channel prefers to be allocated to the shortest path, it is necessary to determine whether the direction of the shortest path is Up-direction or Down-direction.

In order to determine the direction of the shortest path, the positional relation between the source and destination segments needs to be clarified. When the destination segment is behind the diagonal of the source, the direction of shortest path is Up-direction. Otherwise, the direction of shortest path is Down-direction. The positional relation between segments is determined from the distance between segments. The distance is determined from the addresses of the source and destination segments. The distance unit is not the physical distance but the number of segments in the data transfer channel. When the source segment is *x*, the destination segment is *y* and the distance of the segments is *d*, then  $d = y - x$ . Thus the direction of the shortest path is determined from the following formulas.

$$\text{Up - direction} : -m < d \leq -\frac{m}{2}, 0 < d \leq \frac{m}{2}$$

$$\text{Down - direction} : -\frac{m}{2} < d < 0, \frac{m}{2} < d < m$$

#### V. DESIGN OF RING SEGMENTED BUS ARCHITECTURE

##### A. Burst transfer

In order to transfer data between segments continuously, the data need to be sent and received with appropriate timing based on the flag signal of the asynchronous FIFO.

We first show the writing transfer. Figure V-A shows the timing chart of burst transfer, where four data (*D<sub>1</sub>* *D<sub>2</sub>* *D<sub>3</sub>* *D<sub>4</sub>*) are transferred from the component *C<sub>ij</sub>* of *S<sub>i</sub>* to the component *C<sub>kl</sub>* of *S<sub>k</sub>*.

*ReqS* from *C<sub>ij</sub>* arrives at *C<sub>kl</sub>* one and two clock cycles later by the synchronizer in the bridge of *S<sub>i</sub>* and *S<sub>k</sub>*, respectively. *AckS* from *C<sub>kl</sub>* arrives at *C<sub>ij</sub>* clock cycles later, similarly. When there is empty area in the asynchronous FIFO in the bridge of *S<sub>k</sub>*, that is, *Full* flag does not assert, *C<sub>ij</sub>* sends data

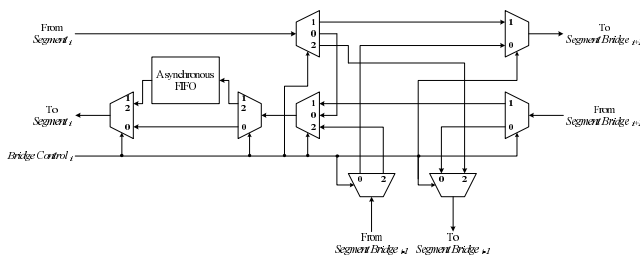


Fig. 4. Structure of a segment bridge with an asynchronous FIFO

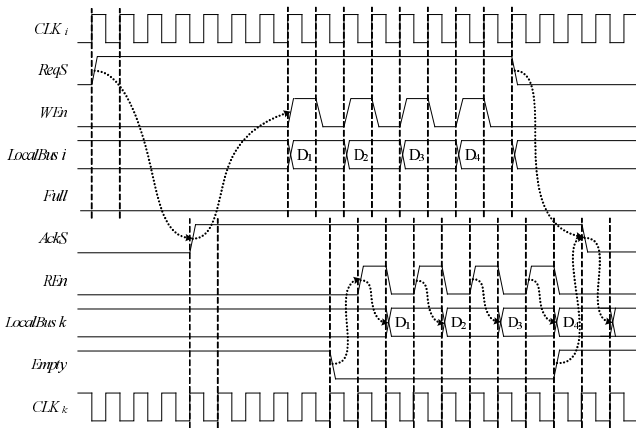


Fig. 5. Timing chart of burst transfer

with a write enable signal  $WEn$ . On the other hand, there is data in the asynchronous FIFO, that is,  $Empty$  flag does not assert,  $C_{kl}$  sends a read enable signal  $REn$  to FIFO and receives data from FIFO.  $C_{ij}$  negates  $ReqC$  after sending the whole transferred data. When  $ReqS$  is negated and there is not data in FIFO,  $C_{kl}$  finishes to receive data and deasserts  $AckS$ .

We next show the reading transfer. The handshake by  $ReqC$  and  $AckS$  is similar to the writing transfer. When there is empty area in the asynchronous FIFO in the bridge of  $S_i$ , that is,  $Full$  flag does not assert,  $C_{kl}$  sends data with a write enable signal  $WEn$ . On the other hand, there is data in the asynchronous FIFO, that is,  $Empty$  flag does not assert,  $C_{ij}$  sends a read enable signal  $REn$  to FIFO and receives data from FIFO.  $C_{ij}$  negates  $ReqC$  after receiving the whole transferred data. When  $ReqS$  is negated,  $C_{kl}$  finishes to receive data and deasserts  $AckS$ .

As stated above, it is necessary to detect each flag to perform the burst transfer. Thus two clock cycles are required

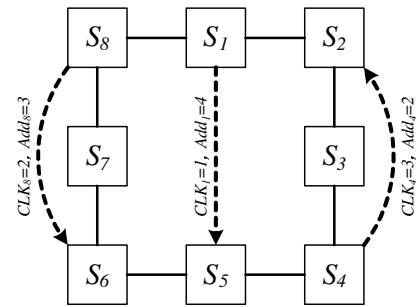


Fig. 6. Structure of the designed GALS system

to transfer one data.

### B. Simulation

We design a GALS system with the ring segmented bus and implement it on FPGA. Since the design of an asynchronous FIFO includes a complex pointer circuit, we construct the asynchronous FIFO using IP cores. We construct each component as a circuit which adds to the contents of RAM the specified number  $Add_i$ . We run a simulation, where the number of segments is 8 and the number of components of each segment is 4. Figure 6 shows the structure of the system. Figure 7 shows the result of simulation of the data transfer described by the broken lines in Figure 6.  $CLK_i$  in Figure 6 represents the dividing ratio of the segment  $S_i$  to the global clock.

First the component of  $S_1$  which has the highest frequency requests a data transfer between segments. Then the data transfer channel is established Up-directionally as the shortest path and the transfer starts.  $S_8$  starts the transfer Down-directionally as the shortest path. Although  $S_4$  subsequently requests the transfer, all channels are occupied by the data transfer of  $S_1$  and  $S_8$ .  $S_4$  thus starts the transfer Down-directionally as the shortest path after completing the transfer

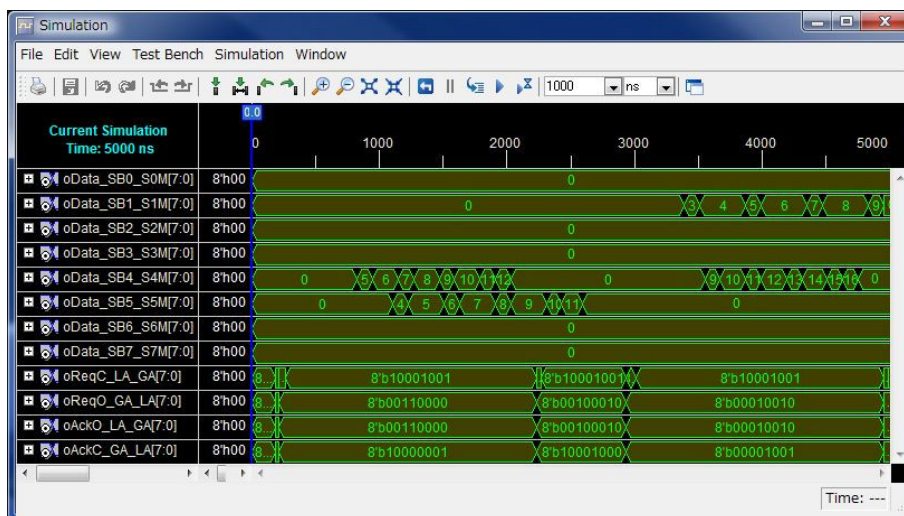


Fig. 7. Result of simulation

of  $S_1$ . Here,  $S_1$  requests the transfer again after completing the transfer of  $S_7$ . Although the channel can not be allocated to the shortest path similar to the previous transfer because of the transfer of  $S_4$ , the channel is allocated to the roundabout path Down-directionally.

We implement the designed ring segmented bus architecture on FPGA (Spartan-3 from Xilinx). The implemented GALS system has the desired operations. Because of the capacity of FPGA devices, the implemented system has four segments and two components in each segment.

## VI. CONCLUSION

In this paper, we proposed a ring segmented bus architecture for a GALS system. We designed the architecture and implemented it on FPGA. According to the simulation, it was shown that the GALS system designed by the proposed method had the desired operations. We considered the reduction of metastable operation caused by an asynchronous communication and the burst transfer using an asynchronous FIFO. Future works are the detailed design of an asynchronous arbiter and optimum distribution of ring segments.

## REFERENCES

- [1] T. Nanya, "A perspective on asynchronous microprocessor," *Journal of Information Processing Society of Japan*, vol. 39, no. 3, pp. 181–186, 1998, (in Japanese).
- [2] I. Sutherland and S. Fairbanks, "Gasp: a minimal fifo control," *Seventh International Symposium on Asynchronous Circuits and Systems (ASYNC 2001)*, pp. 46–53, 2001.
- [3] T. Villiger, H. Käslin, F. K. Gürkaynak, S. Oetiker, and W. Fichtner, "Self-timed ring for globally-asynchronous locally-synchronous systems," in *ASYNC '03: Proceedings of the 9th International Symposium on Asynchronous Circuits and Systems*. Washington, DC, USA: IEEE Computer Society, 2003, p. 141.
- [4] J. Plosila, T. Seceleanu, and P. Liljeberg, "Implementation of a self-timed segmented bus," *IEEE Design and Test of Computers*, vol. 20, no. 6, pp. 44–50, 2003.
- [5] M. Stein, "Crossing the abyss: asynchronous signals in a synchronous world," *EDN Magazine*, pp. 59–69, 7 2003.
- [6] Y. Yamasoto, Y. Sato, H. Kagotani, and T. Okamoto, "A formula for performance evaluation of synchronizers constructed with cascaded cmos d flip-flops," *Transactions of the Institute of Electronics, Information and Communication Engineers*, vol. J84, no. D-1, pp. 1484–1492, 1999, (in Japanese).