

Unified Power Flow Controller Placement to Improve Damping of Power Oscillations

M. Salehi, A. A. Motie Birjandi, F. Namdari

Abstract—Weak damping of low frequency oscillations is a frequent phenomenon in electrical power systems. These frequencies can be damped by power system stabilizers. Unified power flow controller (UPFC), as one of the most important FACTS devices, can be applied to increase the damping of power system oscillations and the more effect of this controller on increasing the damping of oscillations depends on its proper placement in power systems. In this paper, a technique based on controllability is proposed to select proper location of UPFC and the best input control signal in order to enhance damping of power oscillations. The effectiveness of the proposed technique is demonstrated in IEEE 9 bus power system.

Keywords—Unified power flow controller (UPFC), controllability, small signal analysis, eigenvalues.

I. INTRODUCTION

DAMPING electromechanical oscillations among connected synchronous generators is essential for secure system functioning. In various conditions, for instance, in heavy loading of power systems, slight signal oscillations appear. Power system stabilizers (PSS) are widely used to damp local and intra-area frequencies [1]. Moreover, FACTS controllers along with complementary controllers with voltage control and power flow are used effectively to damp power system frequencies. The degree of their influence on damping frequencies depends on their proper placement [2]-[6]. Unified power flow controller (UPFC) is used for the simultaneous control of active and reactive power by series voltage injection on line. In addition, in order to stabilize bus voltage for a specific and controllable value on the bus of the beginning of the line, shunt reactive current is injected [7]. This controller can increase the damping of slight signal frequencies in power systems by being located in a proper place. Different methods have been proposed for the placement of FACTS controllers, in which static criteria such as power transfer enhancement, loss minimization, etc. and no dynamic criteria are considered for the proper places of FACTS [8], [9]. In other studies, adjusting FACTS parameter has been proposed for enhancing intra-area frequencies with weak damping [10]-[15]. However, in these methods, no criterion has been proposed for the placement of FACTS controller. Applying controllability and observability criteria is one of the tools proposed for the placement of FACTS devices [16], [17]. In [18], a method for

UPFC's proper place was determined by means of frequency response.

In this study, a technique is proposed for the allocation of UPFC to improve damping of power oscillation and stability. Using controllability index, input control parameter and suitable branch are specified for installing UPFC. The effect of this method is shown by stimulation on a 9-bus, 3-machine system.

II. CONTROLLABILITY INDEX

A dynamic system is generally represented as a space as:

$$\dot{x}_1 = f(x_1, x_2, u) \quad x_1 \in R^n, x_2 \in R^m \quad (1)$$

$$0 = g(x_1, x_2, u) \quad u \in R^m \quad (2)$$

where (1) is a differential equation for dynamic equipments; x_1 consists of power angle, rotor speed, etc. The second equation is power flow equation: x_2 consists of domain and phase of node voltage and branch current, etc. and u is input control vector. By combining (1) and (2) and linearization about the equilibrium point, the following can be written:

$$\Delta \dot{X} = A \Delta X + B \Delta U \quad (3)$$

Assuming that u is right eigen vector and v is left eigen vector of matrix A and in order to omit the mutual conjugation between state variables, a new state variable Δz is located as $\Delta X = u \Delta z$ in (3) and this equation results in [9]:

$$\Delta \dot{Z} = \Lambda Z + B' \Delta U \quad (4)$$

Matrix B' which is a combination of the left eigenvector matrix and input matrix is defined as a mode controllability matrix and its row vector ($b'_{ki} = v_k^T B_i$) is defined as mode controllability vector k . Domain b'_{ki} shows the degree of input variable controllability u_i to mode k . The input which has the maximum value $v_k^T B_i$ is considered the most proper parameter for controlling eigen value k . To control mode k 's activity, input signals are selected and compared with the amplitude of b'_{ki} .

III. PROPOSED METHOD FOR CHOOSING THE PROPER LOCATION OF UPFC IN POWER SYSTEMS

In this study, synchronous generators are represented by a two axis dynamic model and type 1 DC excitation system of IEEE. Dynamic equations for an n bus system with m generators and algebraic equations of a network without

M. Salehi (corresponding author) and F. Namdari are with the Department of Electrical Engineering, Lorestan University, Khoram Abad, Iran (e-mail: salehi.mo@fe.lu.ac.ir).

A. A. Motie Birjandi is with the Department of Electrical Engineering, Shahid Rajaei Teacher Training University, Tehran, Iran (e-mail: motiebirjandi@srutu.edu).

UPFC around an equilibrium point can be represented in terms of the following state space:

$$\Delta \dot{X} = A\Delta X + B\Delta U \quad (5)$$

$$0 = C\Delta X + D\Delta U \quad (6)$$

where:

$$\Delta X = [\Delta\delta_i \Delta\omega_i \Delta E'_{qi} \Delta E'_{di} \Delta E'_{fdi} \Delta V_{Ri} \Delta R_{Fi}] \quad (7)$$

$i = 1, 2, \dots, m$

$$\Delta U = [\Delta I_{di} \Delta I_{qi} \Delta\theta_i \Delta\theta_k \Delta V_i \Delta V_k] \quad (8)$$

$k = m + 1, \dots, n$

where δ is the rotor angle of machine, ω is rotor speed, and E'_{q} and E'_{d} are induced voltages on axes q and d , respectively. Also, I_d and I_q are stator current components on axes d and q , respectively, E'_{fd} is external excitation voltage, and $V_{\angle\theta}$ is bus complex voltage. Elements of matrices A and B correspond to the partial differential dynamic equations of generator and excitations are related to X and U . Elements of matrices D and C correspond to the partial algebraic differential equations of X and U [19].

A. UPFC model

UPFC is a combination of two converters of VSC voltage source which have a common capacitor on the DC side. In Fig. 1, a schematic diagram of UPFC is shown. Control diagram block of series and parallel converters is shown in Fig. 2. Shunt converter output can be applied as the voltage source in the power system to bus k (with the adjustable amplitude and phase (V_{sh} , δ_{sh}) by a controller to check voltage amplitude of this bus at a specific amount and keep DC voltage fixed. Series converter also injects a voltage with adjustable amplitude and angle (V_{se} , δ_{se}) into the transmission line by a controller to monitor active and reactive power of line. $V_k(t)$ and V_{ref} are bus k voltage's phasor and its reference, V_{DC} and V_{DCref} are DC voltage and its reference, $V_m(t)$ is bus m 's voltage phasor, $I_B(t)$ and $I_E(t)$ are phasors of series and parallel converter currents, respectively, and Q_{ref} and P_{ref} are active and reactive reference power, respectively. Output signals of UPFC (V_{se} , V_{sh} , δ_{se} , and δ_{sh}) can be the control input signals of power system. Therefore, dynamic model of UPFC can be deemed as shown in Fig. 3. Z_{se} and Z_{sh} are the impedance transformers of series and shunt converters, respectively.

B. Controllability index for UPFC location

It is assumed that UPFC is located between two buses k and m as demonstrated in Fig. 3; active and reactive power equations of two buses are as follows: Active power at bus k :

$$P_k = V_k^2 G_{kk} + V_k V_m [G_{km} \cos(\theta_k - \theta_m) + B_{km} \sin(\theta_k - \theta_m)] + V_k V_{se} [G_{km} \cos(\theta_k - \delta_{se}) + B_{km} \sin(\theta_k - \delta_{se})] + V_k V_{sh} [G_{sh} \cos(\theta_k - \delta_{sh}) + B_{sh} \sin(\theta_k - \delta_{sh})] \quad (9)$$

Reactive power in bus k :

$$Q_k = -V_k^2 B_{kk} + V_k V_m [G_{km} \sin(\theta_k - \theta_m) - B_{km} \cos(\theta_k - \theta_m)] + V_k V_{se} [G_{km} \sin(\theta_k - \delta_{se}) - B_{km} \cos(\theta_k - \delta_{se})] + V_k V_{sh} [G_{sh} \sin(\theta_k - \delta_{sh}) - B_{sh} \cos(\theta_k - \delta_{sh})] \quad (10)$$

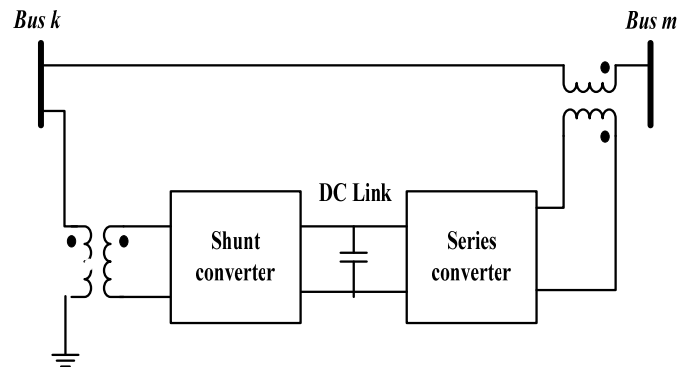


Fig. 1 Schematic diagram of UPFC

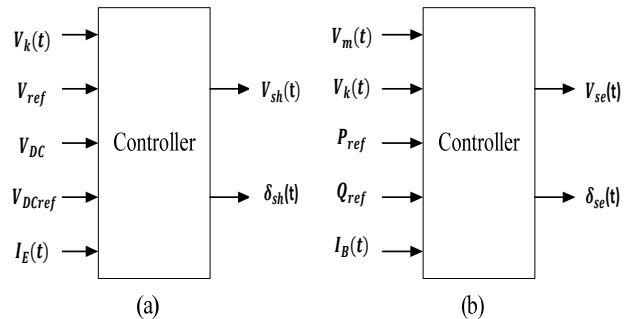


Fig. 2 Control diagram block of UPFC: (a) Series convertor, (b) Parallel convertor

Active power in bus m :

$$P_m = V_m^2 G_{mm} + V_m V_k [G_{mk} \cos(\theta_m - \theta_k) + B_{mk} \sin(\theta_m - \theta_k)] + V_m V_{se} [G_{mm} \cos(\theta_m - \theta_k) + B_{mm} \sin(\theta_m - \theta_k)] \quad (11)$$

Reactive power in bus m :

$$Q_m = -V_m^2 B_{mm} + V_m V_k [G_{mk} \sin(\theta_m - \theta_k) - B_{mk} \cos(\theta_m - \theta_k)] + V_m V_{se} [G_{mm} \sin(\theta_m - \theta_k) - B_{mm} \cos(\theta_m - \theta_k)] \quad (12)$$

In the above equations, admittance between buses k and m is represented as $Y_{km} = G_{km} + jB_{km}$. By linearizing (9)-(12), algebraic differential equations of network (6) are changed as:

$$0 = C\Delta X + D'\Delta U + F\Delta U_{upfc} \quad (13)$$

where $\Delta U_{upfc} = [\Delta\delta_{se} \Delta V_{se} \Delta\delta_{sh} \Delta V_{sh}]$, elements of matrix F correspond to partial algebraic differential equations to ΔU_{upfc} , and D' is the modified matrix D because of placing UPFC in the power system. By solving (5) and (13):

$$\Delta \dot{X} = (A - BD^{-1}C)\Delta X + (-BD^{-1}F)\Delta U_{upfc} \quad (14)$$

Equation (14) can be written as:

$$\Delta \dot{X} = A' \Delta X + F' \Delta U_{upfc} \quad (15)$$

Controllability of UPFC on line 1 for ΔU_{upfc} to mode k is defined as:

$$b_{ki} = v_k^T F' \quad (16)$$

where b_{ki} is a 1×4 vector and the size of each of its elements expresses the controllability of ΔU_{upfc} on line 1 to mode k . This vector is calculated for all the system lines (except the line with the transformer) and, considering large elements of this vector, the line which is more proper for installing UPFC is determined.

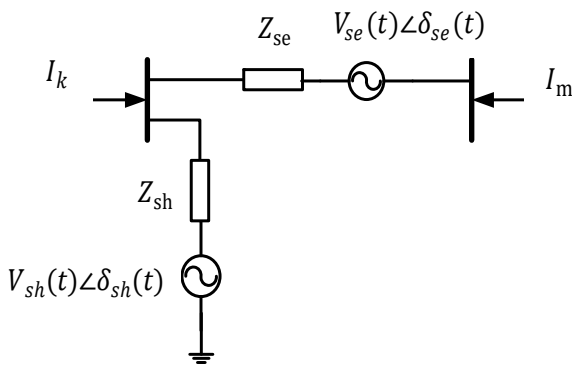


Fig. 3 Representation of UPFC using voltage sources

IV. SIMULATION RESULTS

To assess the effectiveness of the proposed method, we analyze three machine power system of Fig. 4. The system data are given in [19]. Small signal analysis reveals the important information about oscillatory modes. The above system consists of 3 generators, all of which are equipped with the excitation system. Each generator with its excitation has 7 state variables; so, the rank of state matrix A is 21. According to the small signal analysis for this system, oscillatory modes with weak damping are determined. Table I shows the corresponding eigen values with electromechanical oscillatory modes to a specific point. More information about oscillatory modes is obtained by participation coefficients and mode shape. Participation coefficient represents state variable's activity in the given mode. Participation coefficient of state variable k to mode i is defined as:

$$p_{ki} = \frac{v_{ki} u_{ki}}{v_i^T u_i} \quad (17)$$

where u_{ki} and v_{ki} are right and left eigen vectors to mode i , respectively. Among the oscillatory modes, two modes of 1.99 Hz and 1.17 Hz have weak damping and, consequently, these two are considered. Table II shows the participation coefficients of state variables to these two modes. According to the table, it is observed that the state variables of stimulation system do not play an important role in electromechanical oscillatory modes. Therefore, it is possible to neglect these variables and, in most of the studies, the rank

four model of generator is used. Large participation coefficients δ_{G2} and ω_{G2} (0.371) show generator activity G_2 in mode 1.17 Hz and large participation coefficients δ_{G3} and ω_{G3} (0.381) represent generator activity G_3 in mode 1.99 Hz. δ_{G3} is determined by observing amplitude and right eigenvector size (mode shape) corresponding to state variable δ_{G2} , in which two above-mentioned oscillatory modes correspond to the rotation of generator G_2 , unlike that of generator G_3 . Mode shapes corresponding to two oscillatory modes are shown in Figs. 5 and 6.

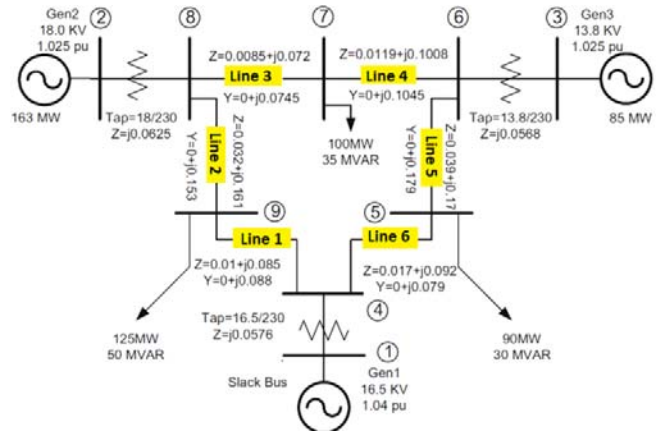


Fig. 4 9-bus, 3-machine system

TABLE I
OSCILLATORY MODES OF 9-BUS, 3-MACHINE SYSTEM

Eigenvalues $\lambda = \sigma \pm j\omega$	Frequency (Hz)	Damping Ratio
$0.7194 \pm j12.5502$	1.99	0.057
$-0.2872 \pm j7.3645$	1.17	0.038
$-5.4605 \pm j7.8669$	1.25	0.57
$-5.3775 \pm j7.8930$	1.25	0.56
$-5.2370 \pm j7.8390$	1.24	0.55

TABLE II
PARTICIPATION COEFFICIENTS OF 9-BUS, 3-MACHINE SYSTEM

State variable	Mode 1.17 Hz	Mode 1.99 Hz
δ_{G2}	0.3701	0.1317
ω_{G2}	0.3701	0.1317
E'_{qG2}	0.0164	0.0070
E'_{dG2}	0.0265	0.0080
E'_{fdG2}	0.0120	0.0001
V_{RG2}	0.0114	0.0001
R_{FG2}	0.0003	0.0000
δ_{G3}	0.1290	0.3801
ω_{G3}	0.1290	0.3801
E'_{qG3}	0.0077	0.0112
E'_{dG3}	0.0106	0.0314
E'_{fdG3}	0.0052	0.0008
V_{RG3}	0.0047	0.0007
R_{FG3}	0.0016	0.0000

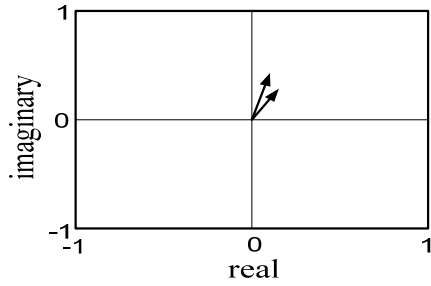


Fig. 5 Mode shape of mode 1.17 Hz

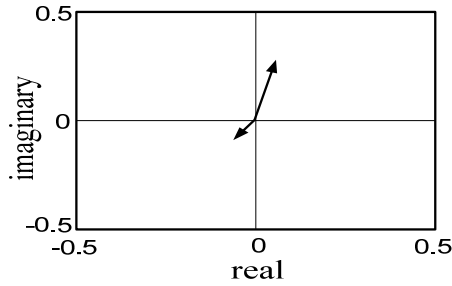


Fig. 6 Mode shape of mode 1.99 Hz

Controllability indices corresponding to two oscillatory modes with weak damping are calculated for each of the control inputs of UPFC ($\Delta\delta_{se}$ ΔV_{se} $\Delta\delta_{sh}$ ΔV_{sh}) on different lines of system (except lines with the transformer) and are given in Tables III and IV. Table III shows the controllability indices of different lines of UPFC corresponding to mode 1.17 Hz. These indices are expressed as normalized forms. It should be noted that, on line $i-j$, series convertor of UPFC is connected to bus j and parallel convertor of UPFC is connected to bus i . From Table III, it is observed that the line between two buses 7 and 8 has the maximum amount of controllability index for the place of UPFC than input control signal ΔV_{se} . Thus, the most appropriate place for installing UPFC is line 7-8 and ΔV_{se} is the best signal for controlling. Controllability index corresponding to oscillatory mode 1.99 Hz is also computed for the place of UPFC and is given as normalized in Table IV. It can be observed in Table 4 that the lines between buses 8 and 9 and buses 7 and 8 have the maximum value of controllability index and, therefore, are the most proper places for installing UPFC. Hence, the line between buses 7 and 8 that has a good controllability index for both oscillatory modes is selected as the most proper place for UPFC. ΔV_{se} is the most proper signal for controlling, too. Since two oscillatory modes are more related to generators G_2 and G_3 , Tables III and IV show that buses 7 and 9 which are the closest ones to the generator have the maximum controllability index for UPFC's place.

TABLE III
 CONTROLLABILITY INDEX IN THE OSCILLATORY MODE 1.17 Hz FOR THE PLACE OF UPFC

Line	$\Delta\delta_{se}$	ΔV_{se}	$\Delta\delta_{sh}$	ΔV_{sh}
4-5	0.013	0.463	0.162	0.047
5-4	0.002	0.344	0.120	0.041
4-6	0.001	0.203	0.134	0.007
6-4	0.001	0.403	0.128	0.030
5-7	0.428	0.037	0.059	0.093
7-5	0.003	0.093	0.159	0.288
7-8	0.019	0.185	0.123	0.318
8-7	0.005	1.000	0.272	0.298
6-9	0.004	0.816	0.059	0.072
9-6	0.002	0.139	0.165	0.106
8-9	0.006	0.600	0.249	0.216
9-8	0.003	0.213	0.167	0.142

TABLE IV
 CONTROLLABILITY INDEX IN THE OSCILLATORY MODE 1.99 Hz FOR THE PLACE OF UPFC

Line	$\Delta\delta_{se}$	ΔV_{se}	$\Delta\delta_{sh}$	ΔV_{sh}
4-5	0.010	0.128	0.055	0.085
5-4	0.005	0.303	0.073	0.038
4-6	0.002	0.223	0.035	0.091
6-4	0.002	0.123	0.045	0.105
5-7	0.100	0.015	0.083	0.030
7-5	0.005	0.118	0.233	0.036
7-8	0.002	0.386	0.033	0.030
8-7	0.028	0.997	0.876	0.327
6-9	0.005	0.972	0.100	0.088
9-6	0.005	0.058	0.200	0.195
8-9	0.008	1.000	0.106	0.128
9-8	0.005	0.086	0.200	0.186

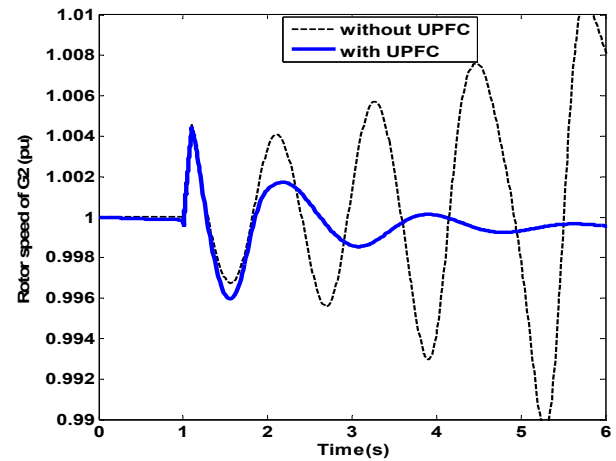


Fig. 7 Variation of rotor speed of G_2

To verify the goodness of these results, a three phase fault is applied at bus 8 at $t = 1$ sec and cleared after 0.1 sec. The original system is restored upon the fault clearance. Figs. 7-10 show the rotor speed of G_2 , G_3 , rotor angle deviation of G_2 and, active power of line 7 – 8, respectively.

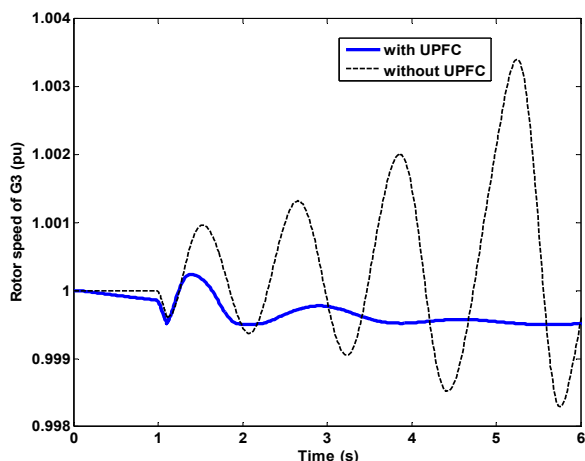


Fig. 8 Variation of rotor speed of G_3

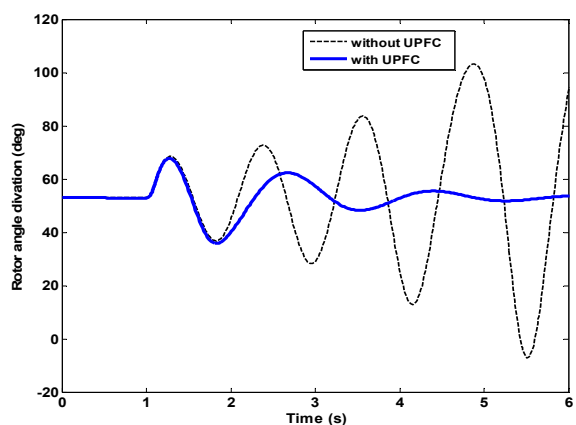


Fig. 9 Variation of rotor angle deviation δ of G_2

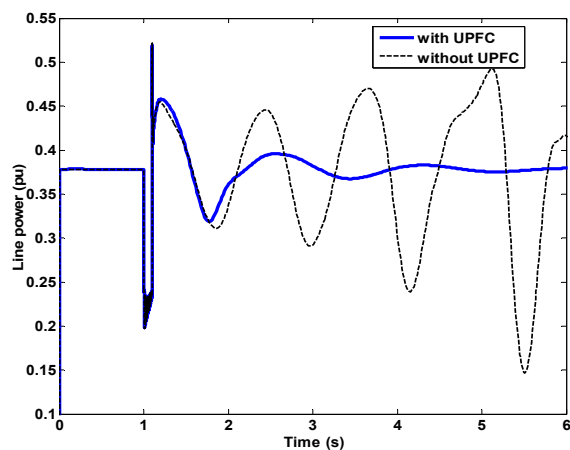


Fig. 10 Active power of line 7-8 after three - phase fault applied to bus 8 cleared after 0.1 s

It is clear from the figures that, without UPFC, power system oscillations are not damped. By inserting UPFC in line 7-8 of the system, power system oscillations are well damped out. In other words, UPFC controller has good damping characteristics to low frequency oscillations and quickly stabilizes the system under this disturbance.

V. CONCLUSION

In this paper, a technique based on controllability index was proposed for finding a proper place and input control parameter of UPFC to increase damping oscillations of small signal and improve stability of the system. Controllability index for two critical modes was computed for a three machine system and UPFC was inserted in line with the maximum value of controllability index. Simulation results showed that, by inserting UPFC in a suitable place and input control signal, stability and damping of power oscillations could be quickly and effectively enhanced.

REFERENCES

- [1] N. Magaji and M.W. Mustafa, "Optimal Location of FACTS devices for damping oscillations using Residue Factor," IEEE International conference on power and Energy (PECon 08), December 1-3, 2008.
- [2] W.-K. Chen, E. V. Larsen, J. J. Sanchez-Gasca and J. H. Chow, "Concepts for Design of FACTS Controllers to damp power swings," IEEE transactions on Power Systems, vol. 10, 1995, pp. 948-955.
- [3] H. Okamoto, A. Kurita and Y. Sekine, "A method for identification of effective location of variable impedance apparatus on enhancement of steady state stability in large scale power systems," IEEE Trans. power Syst, vol. 10, 1995, pp. 1401-1407.
- [4] K. M. Son and J. K. Park, "On the robust LQG control of TCSC for damping power system oscillations," IEEE Trans Power Syst, vol. 15, 2000, pp. 1306-1312.
- [5] M. G. M. Noroozian, G. Andersson, J. Gronquist and I. Hiskens, "A Robust control strategy for shunt and series Reactive Compensators to Damp Electromechanical Oscillations," IEEE transactions on Power Delivery, vol. 16, 2001, pp. 812-817.
- [6] X. R. Chen, N. C. Pahalawaththa, U. D. Annakkage and C. S. Kumble, "output feedback TCSC controllers to improve damping of multi-machine power systems," IEE Proc, Gener Transm Distrib, vol. 144, 1997, pp. 243-248.
- [7] A. R. Messina and M. Nayebzadeh, "An Efficient Placement Algorithm of Multiple Controllers For Damping Power System Oscillations," Power Engineering Society Summer Meeting, vol. 2, 1999, pp. 1280-1285.
- [8] R. S. Fang and A. K. David, "Optimal dispatch under transmission contracts," IEEE Transaction. Power System, vol. 14, 1999, pp. 732-737.
- [9] S. N. Singh and A. K David, "A new approach for placement of FACTS devices in open Powermarket," IEEE Power Eng. Rev, vol. 21, 2001, pp. 58-60.
- [10] R. Sadikovic, P. Korba, and G. Andersson, "self-tuning controller for Damping of Power System Oscillations with FACTS Device," Power Engineering Society General Meeting, 2006.
- [11] H. Shayeghi, H. A. Shayanfar, S. Jalilzadeh and A. Safari, "A PSO based unified power flow controller for damping of power system oscillations," Energy Conversion and Management, vol. 50, no.10, 2009, pp. 2583-2589.
- [12] H. Shayeghi, "Multi stage fuzzy damping controller using genetic algorithms for the UPFC," International Journal of Electrical and Electronics Engineering, vol. 2, no.11, 2008, pp. 673- 679.
- [13] H. Shayeghi, H. A. Shayanfar, S. Jalilzadeh and A. Safari, "Tuning of damping controller for UPFC using quantum particle swarm optimizer," Energy Conversion and Management, vol. 51, no.11, 2010, pp. 2299-2306.
- [14] H. Shayeghi, H. A. Shayanfar, S. Jalilzadeh and A. Safari, "COA based robust output feedback UPFC controller design," Energy Conversion and Management, vol. 51, no. 12, 2010, pp. 2678-2684.
- [15] L. H. Hassan, M. Moghavvemi, H. A. F. Almurib and O. Steinmayer, "Application of genetic algorithm in optimization of unified power flow controller parameters and its location in the power system network," International Journal of Electrical Power & Energy Systems, vol. 46, 2013, pp. 89-97.
- [16] Y. Yuan, L. Cheng, Y. Sun and G. Li, "Placement of SVCs and Selection of Stabilizing Signals Based on Observability and Controllability," IEEE International conference on power and Energy, July 2008.

- [17] B. K. Kumar, S. N. Singh and S.C. Srivastava, "placement of FACTS controllers using modal controllability indices to damp out power oscillations," IET Gener. Transm. Distrib. vol. 1, 2007, pp. 209-217, 2007.
- [18] J. M. Ramirez and L. Coronado, "Allocation of the UPFC to enhance the damping of power oscillations," Electrical Power and Energy System, vol. 24, 2002, pp. 355-362.
- [19] W. S. Peter and M. A. Pai, "Power System dynamics and stability," Prentice Hall, New Jersey, USA, 1998.